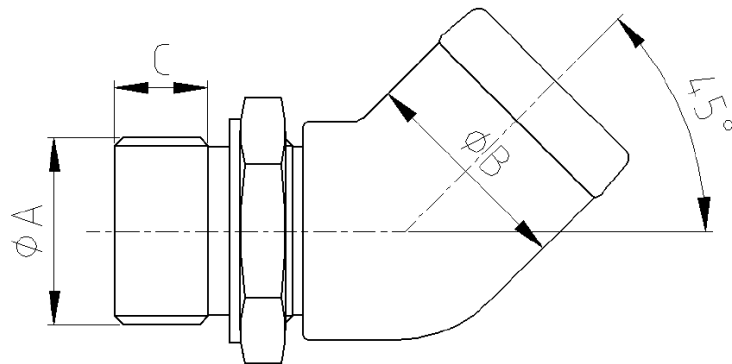


**SPECIFICATII TEHNICE**

**RACORD ABSORBTIE CU FILET PENTRU POMPE HIDRAULICE**



A (BSP)	B (INCH)	C (MM)
3/4"	1"1/4	16.5
3/4"	1"1/2	16.5
1"	1"1/4	16.5
1"	1"1/2	16.5
1"	2"	16.5
1 1/4"	1"1/2	16.5
1 1/4"	2"	16.5
1 1/2"	1 1/2"	16.5
1 1/2"	2"	16.5
2"	2"	16.5